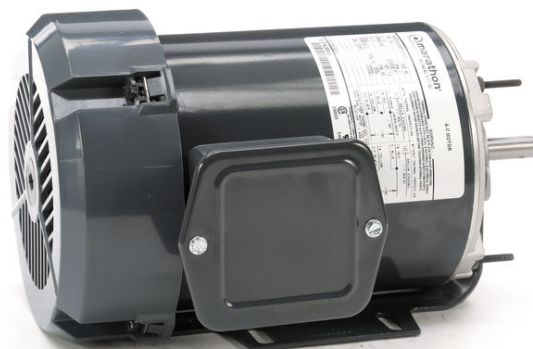


# PRODUCT INFORMATION PACKET

Model No: 5KH36PN109

Catalog No: H233

1/6 HP Fan and Blower HVAC/R Motor, 1 phase, 1200 RPM, 115 V, 48 Frame, TEFC  
Self Cooled Motors





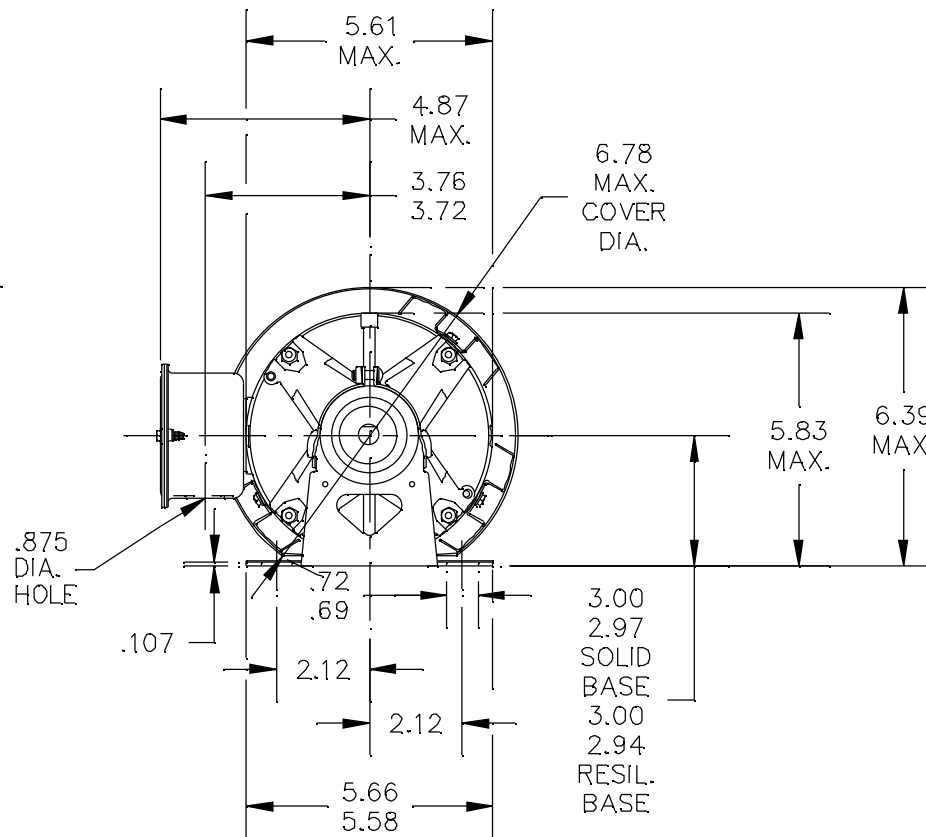
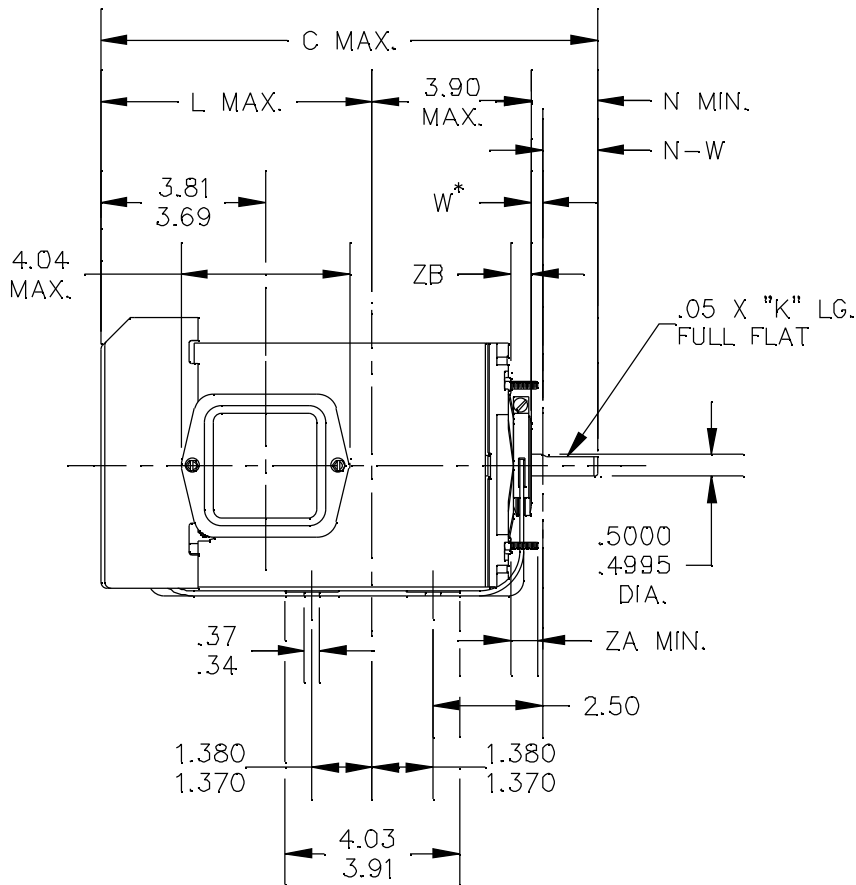
### Nameplate Specifications

Output HP	0.17 Hp	Output KW	0.13 kW
Frequency	60 Hz	Voltage	115 V
Current	4 A	Speed	1140 rpm
Service Factor	1	Phase	1
Efficiency	50.5 %	Power Factor	0
Duty	Continuous	Insulation Class	B
KVA Code	P	Frame	48
Enclosure	Totally Enclosed Fan Cooled	Thermal Protection	N/R
Ambient Temperature	40 °C	Drive End Bearing Size	6203
Opp Drive End Bearing Size	6203	UL	Recognized
CSA	Yes	CE	N
IP Code	43		

### Technical Specifications

Electrical Type	Split Phase	Starting Method	SM
Poles	6	Rotation	Counterclockwise/Clockwise
Mounting	Resilient Base	Motor Orientation	ANY
Drive End Bearing	BALL	Opp Drive End Bearing	Ball
Frame Material	Rolled Steel	Overall Length	11 in
Frame Length	6.22 in	Shaft Diameter	0.500 in
Shaft Extension	1.5 in	Thru-bolts Extension	0 in
Outline Drawing	52A102047P4	Connection Drawing	52A105377BA

This is an uncontrolled document once printed or downloaded and is subject to change without notice. Date Created:03/11/2020



W\* IS A CLEARANCE DUE TO VARIATION IN PARTS AND ASSEMBLY

5	KH	37	48	11.38	6.00	1.50	1.16	1.63/1.41	.62	.55/.52	10	KH	32	48Z	10.92	4.54	2.50	2.16	2.63/2.41	.62	.55/.52
4	KH	36	48	10.98	5.60	1.50	1.16	1.63/1.41	.62	.55/.52	9	KH	33	48	10.17	4.79	1.50	1.16	1.63/1.41	.78	.55/.52
3	KH	35	48	10.55	5.17	1.50	1.16	1.63/1.41	.62	.55/.52	8	KH	36	48Z	11.06	5.60	1.88	1.54	2.01/1.79	.62	.55/.52
2	KH	33	48	10.17	4.79	1.50	1.16	1.63/1.41	.62	.55/.52	7	KH	35	48Z	11.55	5.17	2.50	2.16	2.63/2.41	.62	.55/.52
1	KH	32	48	9.92	4.54	1.50	1.16	1.63/1.41	.62	.55/.52	6	KH	38	48	11.98	6.60	1.50	1.16	1.63/1.41	.62	.55/.52
P	TYPE	RBC SIZE	NEMA FR.	C	L	N	K	N-W	ZA	ZB	P	TYPE	RBC SIZE	NEMA FR.	C	L	N	K	N-W	ZA	ZB

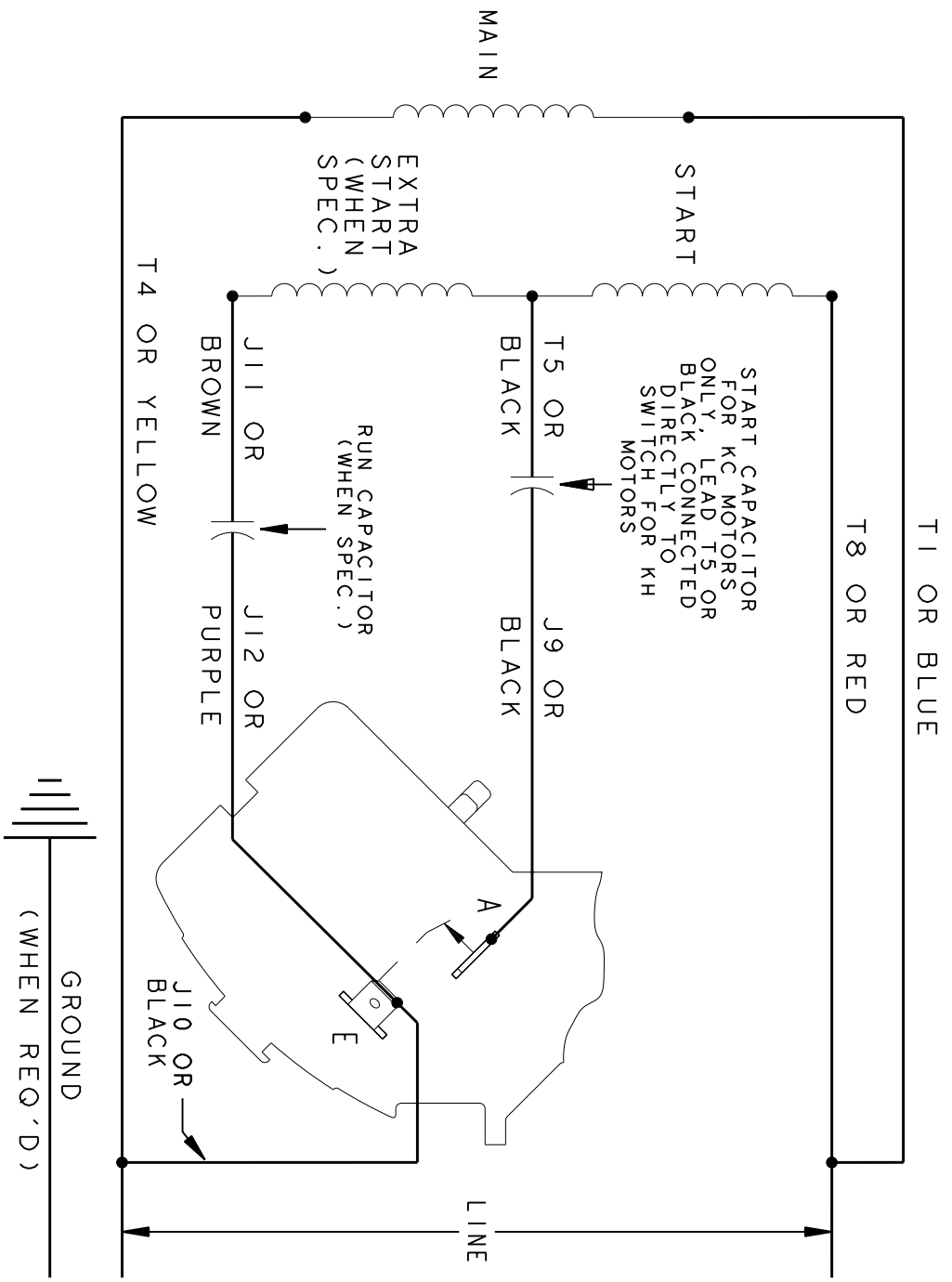
				TOLERANCES UNLESS SPECIFIED		DRAWN FPK 12/16/96	
				DEC.	INCHES	CHK FPK 12/13/96	
15	REDRAWN IN DRAFT SIGHT-NO CHANGES	UD	10/17/12	PKG	.X	±0.1	APPD AAU 12/12/96
14	UPDATED AS PER IS 07-0652	BL	04/27/07	.XX	±0.02	TITLE	SCALE 1=1
13	CHG TO RBC FORMAT PER IS05-1777	DS	12/22/05	.XXX	±0.005	OUTLINE	REF
12	REDRAWN BY 2M SOFTWARE CO	AAU	02/12/96	.XXXX	±0.0005	FORM N-TOTALLY ENCLOUTBOARD FAN-SOLID OR RESI	FMF
NO.	REVISION	BY & DATE	CHK	ANG	±1.0	FINISH	PREV
THIS DRAWING IN DESIGN AND DETAIL IS OUR PROPERTY AND MUST NOT BE USED EXCEPT IN CONNECTION WITH OUR WORK ALL RIGHTS OF DESIGN AND INVENTION ARE RESERVED THIS IS AN ELECTRONICALLY GENERATED DOCUMENT - DO NOT SCALE THIS PRINT				RFP	CAD FILE	52A102047	SIZE A
				DIST	DRAWING NO. 52A102047		REV. 15



REV.	DESCRIPTION	DATE	APPROVED
6	UPDATED FORMAT	11/11/05	MAM

REVISIONS

CCW/CW ROTATION - SINGLE VOLTAGE  
TYPE KC, KCR OR KH



NOTE #1 - TO REVERSE ROTATION INTERCHANGE BLUE (T1) AND YELLOW (T4) LEADS.  
NOTE #2 - WHEN MORE THAN ONE CAPACITOR IS USED CONNECT IN PARALLEL.

REF. DIAG. - 113A328		SWITCH (C) - 115D958AA	
CONNECTION LABEL - 52X332919			
SIGNATURES	DATE	<p><b>REGAL-BELOVT CORPORATION</b></p> <p><b>CONNECTION DIAGRAM</b></p> <p><b>FME: 30 FRAME SWITCH REDESIGN</b></p>	
MODEL	M.D. PAPER		
DETAIL			
CHECKED			
ENGRG			
MFG		SIZE	DRAWING
QUALITY		A	
ISSUED	M.D.P.	SCALE:	1.000 REF. No.:
	01/20/99		
SOLID MODEL: 52A105377BA			
FOR ADDITIONAL INFO REFER TO:			
APPLIED PRACTICES			
DIMENSIONS ARE IN INCHES			
MATERIAL			